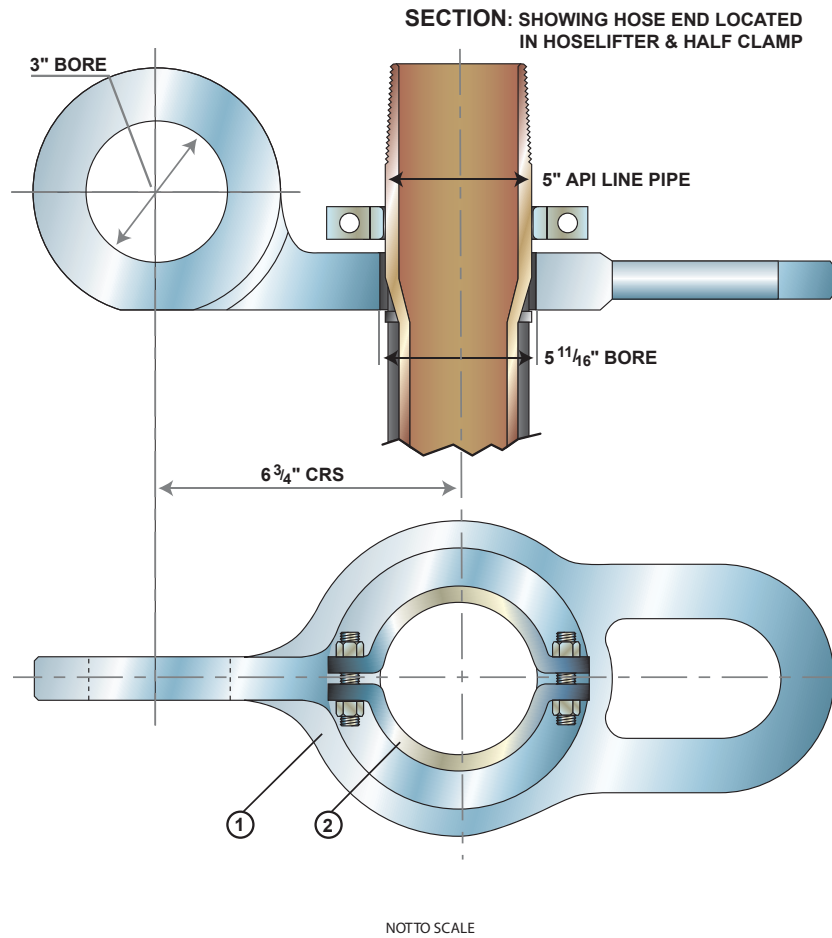


ANSON HOSELIFTER AND CLAMP ASSEMBLY 5" TUBE SIZE x 4 TON SWL



SPECIFICATION:

SAFE WORKING LOAD	4 TON
PROOF LOAD	8 TON
PROOF TESTING SPEC No.	5002
TOTAL WEIGHT	6.7 Kg

HOSELIFTER
AND CLAMP



info@cebo-uk.com
cebo-uk.com