



## **TODO-MATIC®** **DRY-BREAK** **4" Coupling**

The 4" coupling is used extensively for offshore ship to rig transfers of fuels and drinking water, aviation fuel, bunkering, mud and chemicals etc and has the following benefits:-

- Self Sealing
- No Spillage
- Designed for safe and easy use
- Light Weight
- High Flow
- Tough Construction



<b>DIMENSIONS</b>	4" DNI100 164mm Socket.
<b>STANDARD MATERIALS</b>	Aluminium Alloy, 316L Stainless Steel, Brass/Gunmetal.
<b>SEALS</b>	A full range of Elastomeric seals available.
<b>CONNECTIONS</b>	BSP, NPT and Flanged.
<b>OTHER AVAILABLE SIZES</b>	1", 2", 2½", 3" and 6".



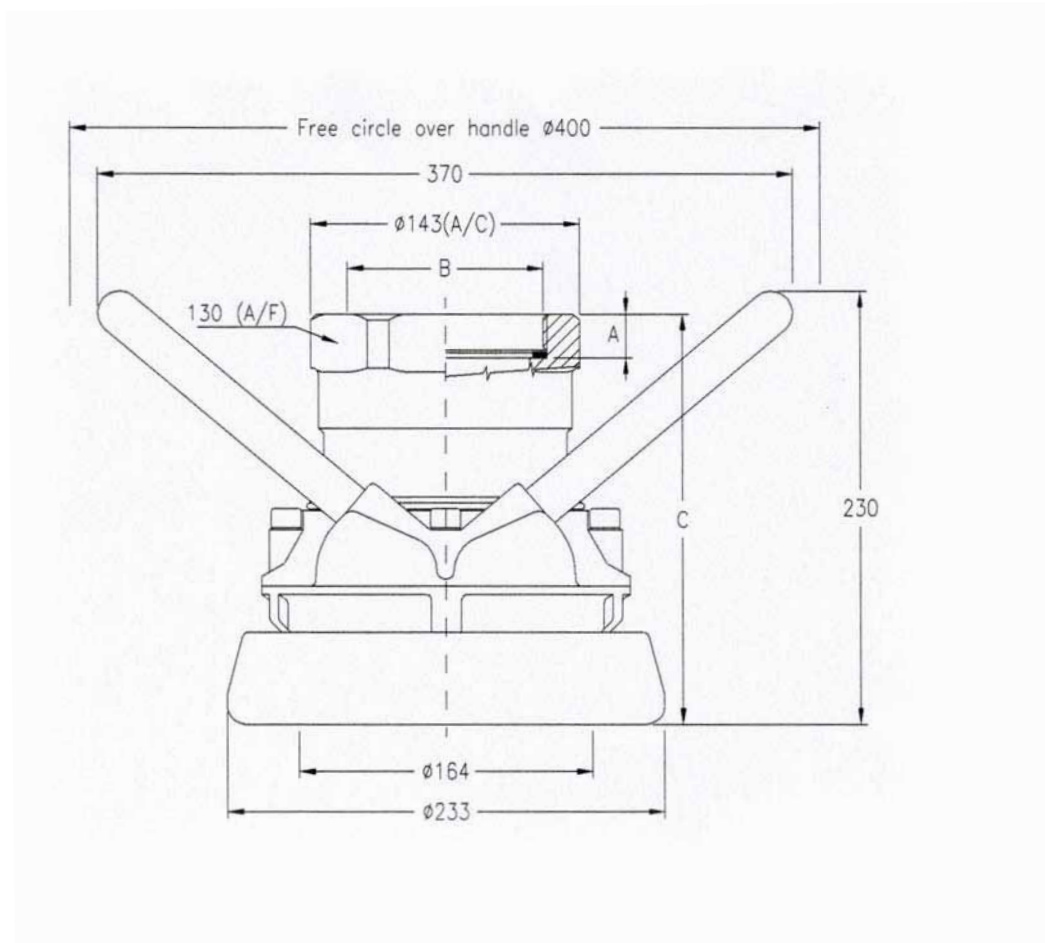
**TODO-MATIC® COUPLING**



info@cebo-uk.com  
cebo-uk.com



**TODO-MATIC®**  
DIMENSION DRAWING  
HOSE UNITS - COUPLING Ø164



COUPLING DIAMETER            Ø164  
WORKING PRESSURE            WP  
TEST PRESSURE                TP  
MIN. BURST PRESSURE        BP  
MAX. COUPLING PRESSURE    6 BAR/87 PSI

DN	B (CONNECTION):	ARTICLE NO.	SEAL	MATERIAL	WEIGHT	WP BAR/PSI	TP BAR/PSI	BP BAR/PSI	A	C
100-4"	4" NPT(ANSI B 2.1)	7477D-1307	FPM (Viton) /PUR (Vulkollan)	Aluminium	9.5kg/20.9lb	10/145	15/220	50/725	34	230